



Next Generation Automated Pipetting Instrument (API)

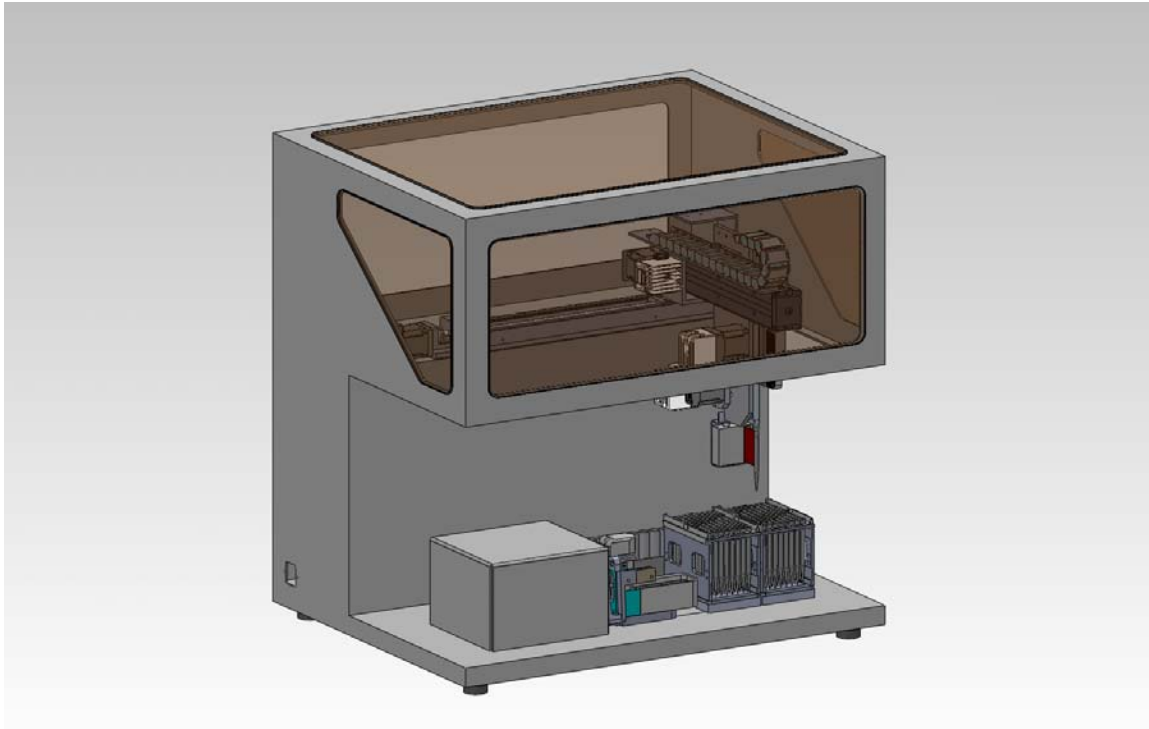


Figure 1 – Next Generation API (ELO Touchcomputer not shown).

Features & Benefits:

- The API is designed to operate at greater than 220 specimens/hr in order to exceed the testing capacity of an AU2700 analyzer (approximately 7 tests/ aliquot) and the speed of an operator performing accessioning at 180 specimens/hr.
- API features a light-weight construction weighing 70 lbs with a bench-top footprint of 2 x 2.5 feet.
- Easy to integrate into confined lab space
- Power requirements are 110V, 15 Amp circuit
- Includes reliable Tecan liquid handling technology
- Tecan Air Displacement Pipetting (ADP) eliminates pumps and pump priming tasks
- High performance servomotor driven barcode scanner and vial opener systems
- Machine uses disposables tips which are table-top shielded from vial opener
- Proprietary single barcode scanner Chain of Custody system

- Windows XP Touch-computer and .NET software
- Ethernet communications
- Capable of printing and reprinting aliquot batch reports
- Configurable aliquot volume
- Configurable air gap to minimize dripping
- Sensor status screen included
- Ability to fire barcode readers manually from maintenance screen
- Software prints bar-coded batch report and writes data file to lab network
- Highly configurable State of the Art software improves machine start-up
- Software requires login with configurable access levels
- Machine doesn't close application for errors or e-stops
- Automated vial ejector for ease of vial loading and increased speed
- No cutting of tamper evident seal tape is required, opener will tear through tamper-evident seals
- Tip waste bin "full" notification on Touch-computer screen
- No skipped or unused disposable tips
- Machine status is displayed on screen with color coding